

# ***Installation Manual***

## ***1966-67 Chevelle/Malibu***

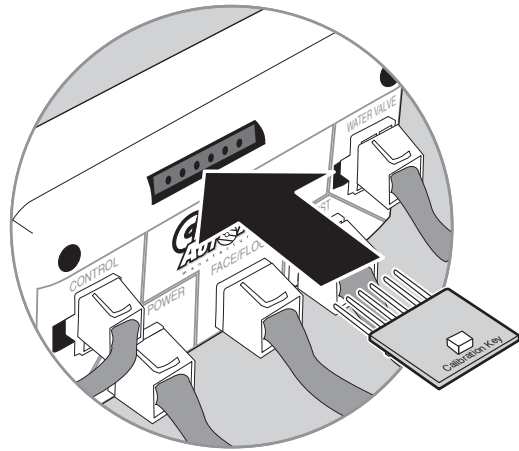
DOCUMENT #1-2048 BENCH CALIBRATION INSTRUCTIONS

©2018 Classic Auto Air / 12.18



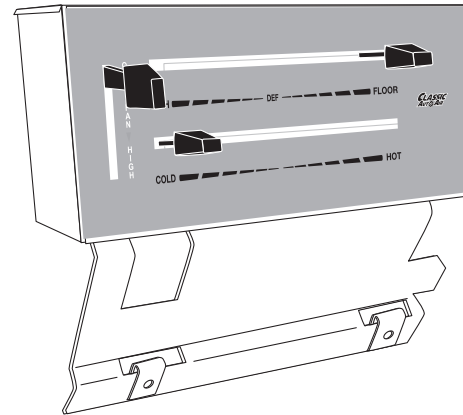


1



Insert Calibration Key as shown (LED up) into 6-pin connection in ECU

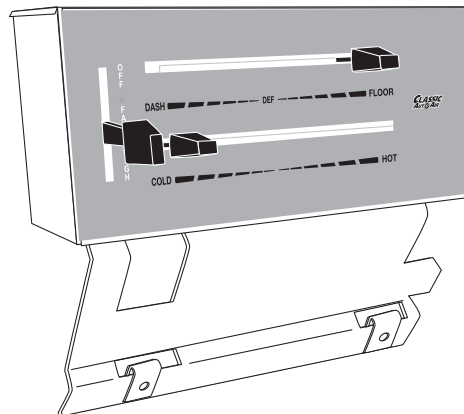
2



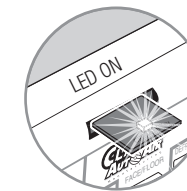
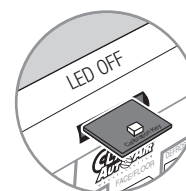
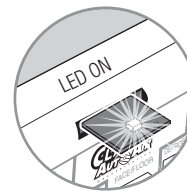
Start by positioning the D.E.R. knobs as shown:  
Fan: Off  
Mode: Floor  
Temp: Cold

3

Move Fan Knob to Center...

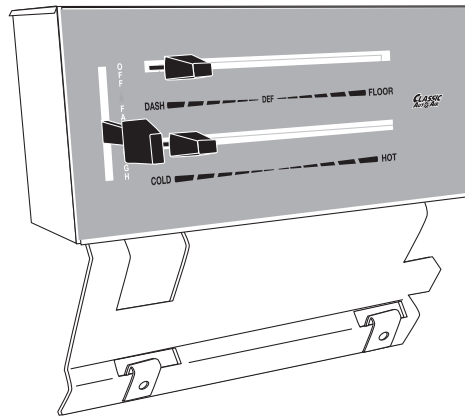


YOU WILL SEE...

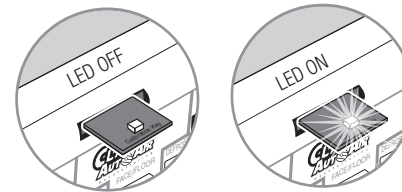


4

Move MODE knob to DASH  
in one motion

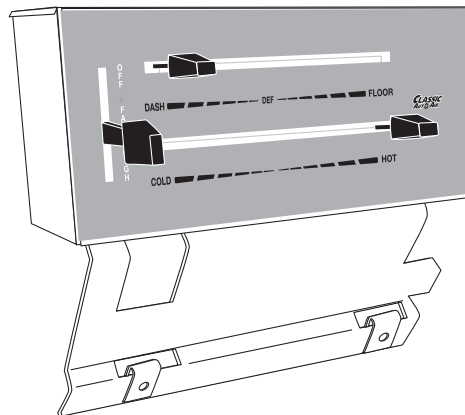


AFTER YOU MOVE THE KNOB YOU WILL SEE...

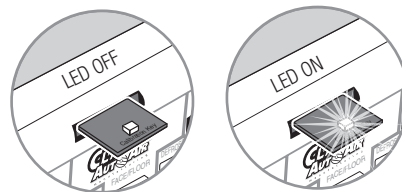


5

Move TEMP knob to HOT  
in one motion

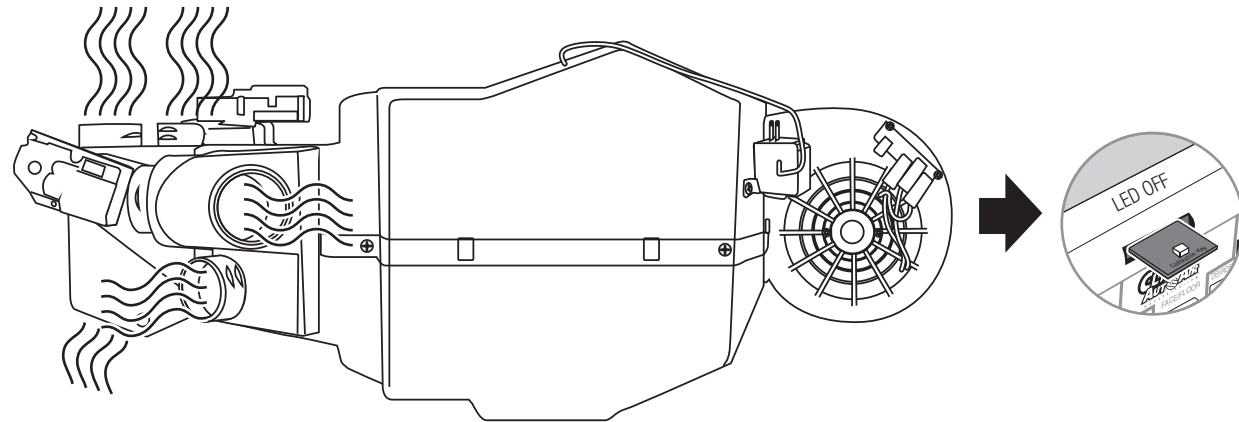


AFTER YOU MOVE THE KNOB YOU WILL SEE...



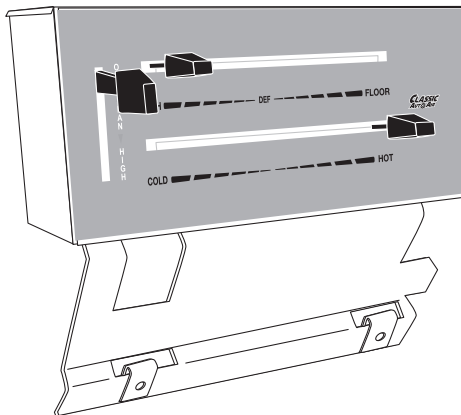
6

You will be able to hear the internal door(s) move back and forth and feel air coming out of the outlets

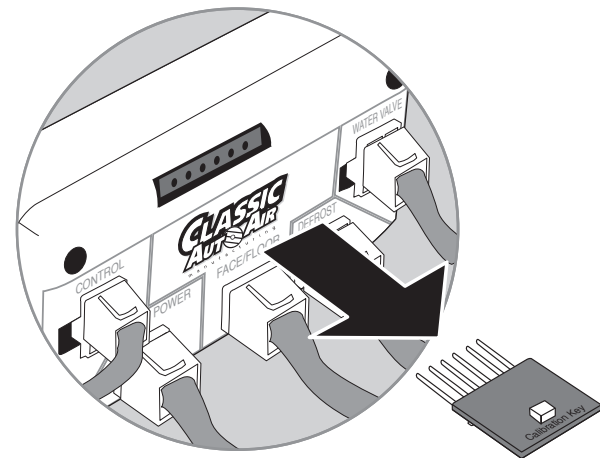


7

Move FAN knob to OFF



8



REMOVE CALIBRATION KEY FROM ECU AND STORE IN A SAFE PLACE

