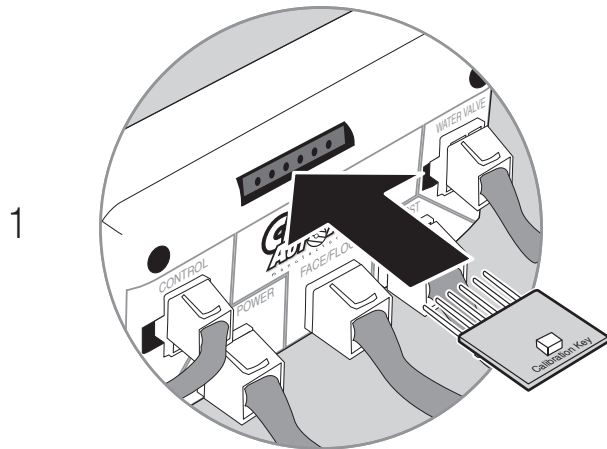


Installation Manual

1969 Camaro Factory Air
1969-74 Nova Factory Air

DOCUMENT #1-2056FA BENCH CALIBRATION INSTRUCTIONS

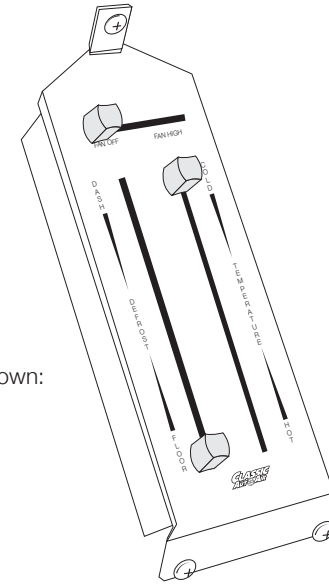




Insert Calibration Key as shown (LED up) into 6-pin connection in ECU

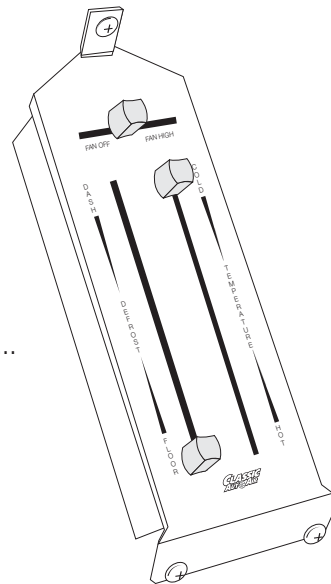
2

Start by positioning the D.E.R. knobs as shown:
Fan: Off
Mode: Floor
Temp: Cold

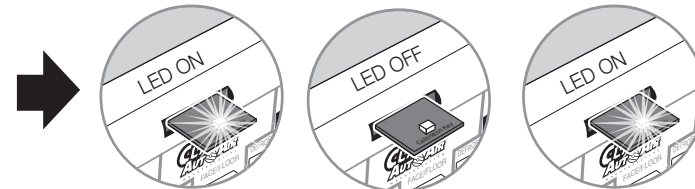


3

Move Fan Knob to Center...

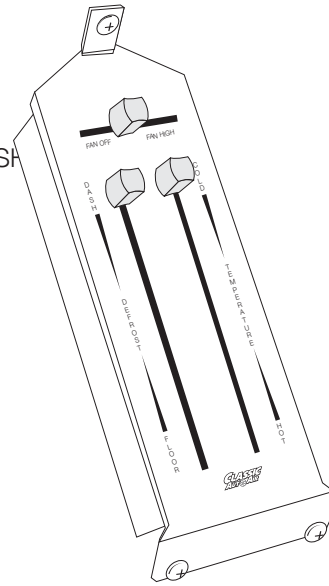


YOU WILL SEE...

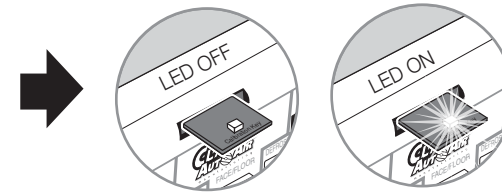


4

Move MODE knob to DASH
in one motion

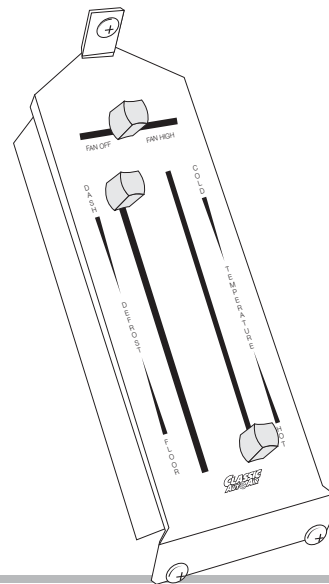


AFTER YOU MOVE THE KNOB YOU WILL SEE...

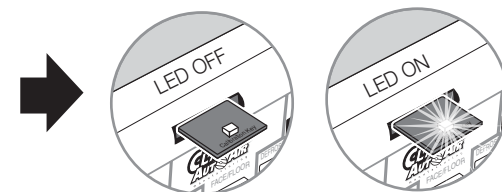


5

Move TEMP knob to HOT
in one motion

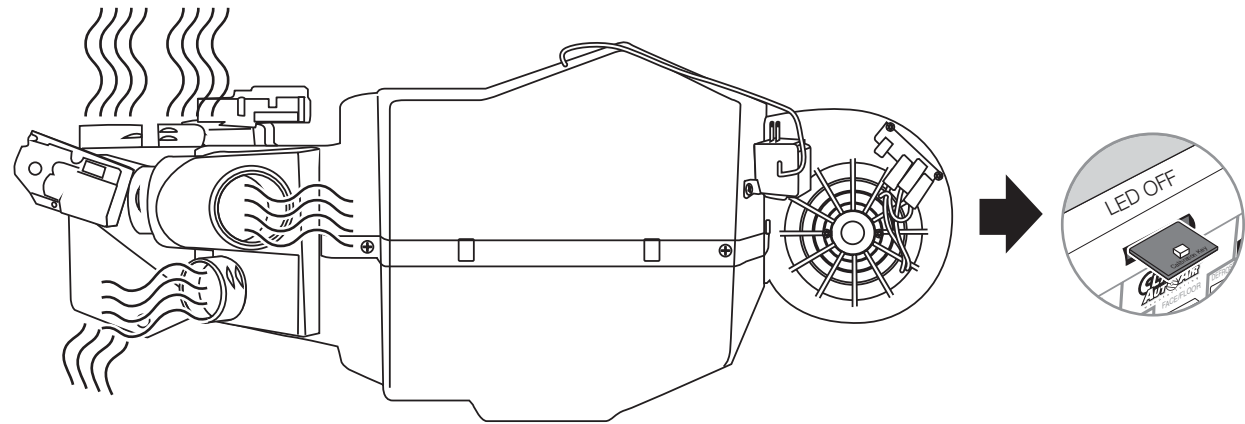


AFTER YOU MOVE THE KNOB YOU WILL SEE...



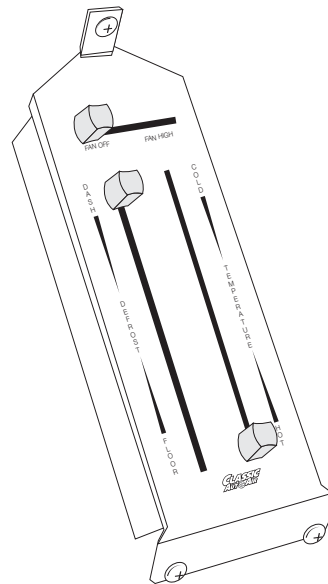
6

You will be able to hear the internal door(s) move back and forth and feel air coming out of the outlets

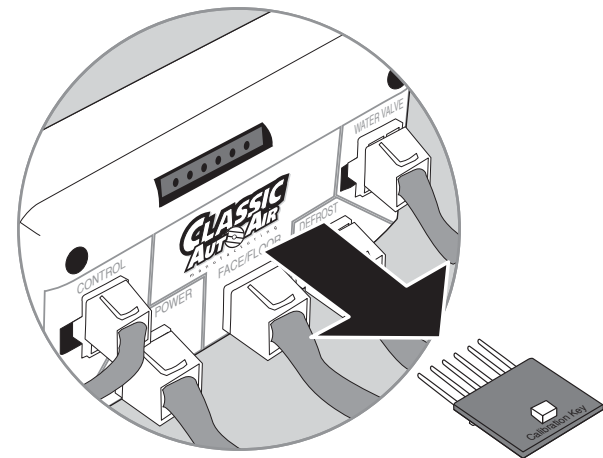


7

Move FAN knob to OFF



8



REMOVE CALIBRATION KEY FROM ECU AND STORE IN A SAFE PLACE

