

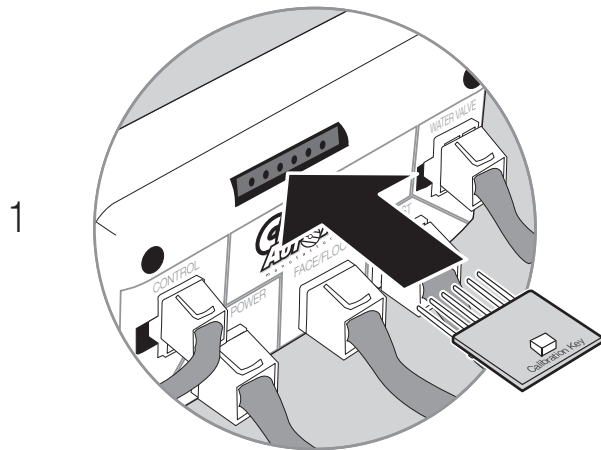


Installation Manual

1969-1976 Chevy Nova

DOCUMENT #1-2061 BENCH CALIBRATION INSTRUCTIONS

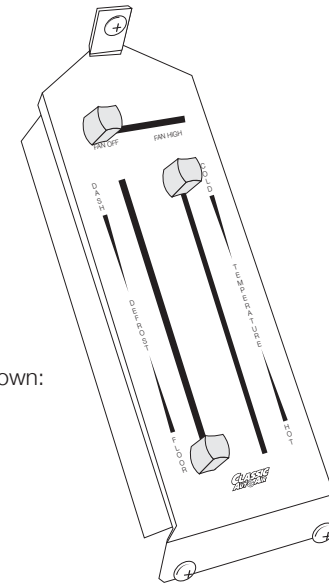




Insert Calibration Key as shown (LED up) into 6-pin connection in ECU

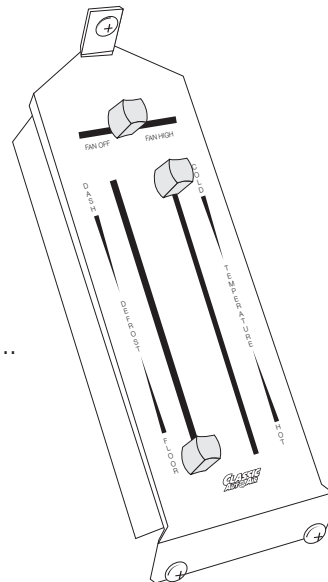
2

Start by positioning the D.E.R. knobs as shown:
Fan: Off
Mode: Floor
Temp: Cold

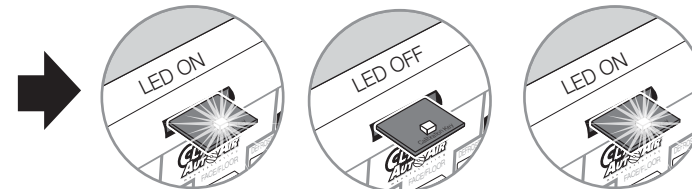


3

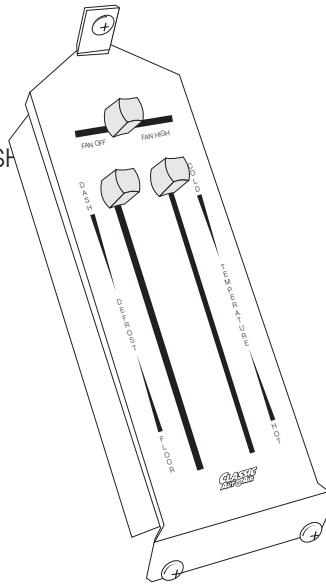
Move Fan Knob to Center...



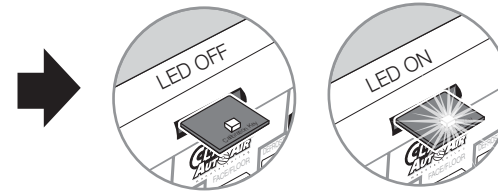
YOU WILL SEE...



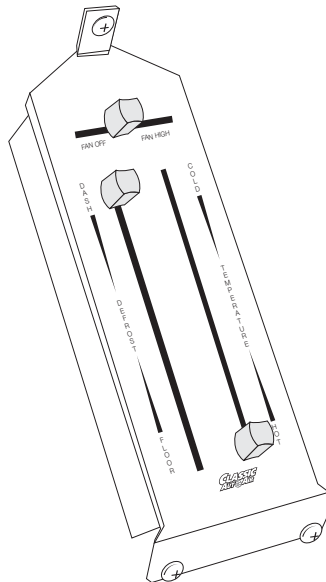
4 Move MODE knob to DASH in one motion



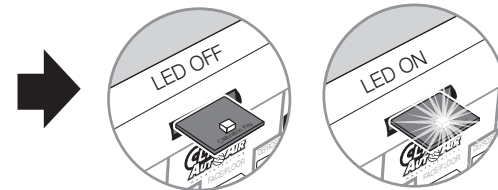
AFTER YOU MOVE THE KNOB YOU WILL SEE...



5 Move TEMP knob to HOT in one motion

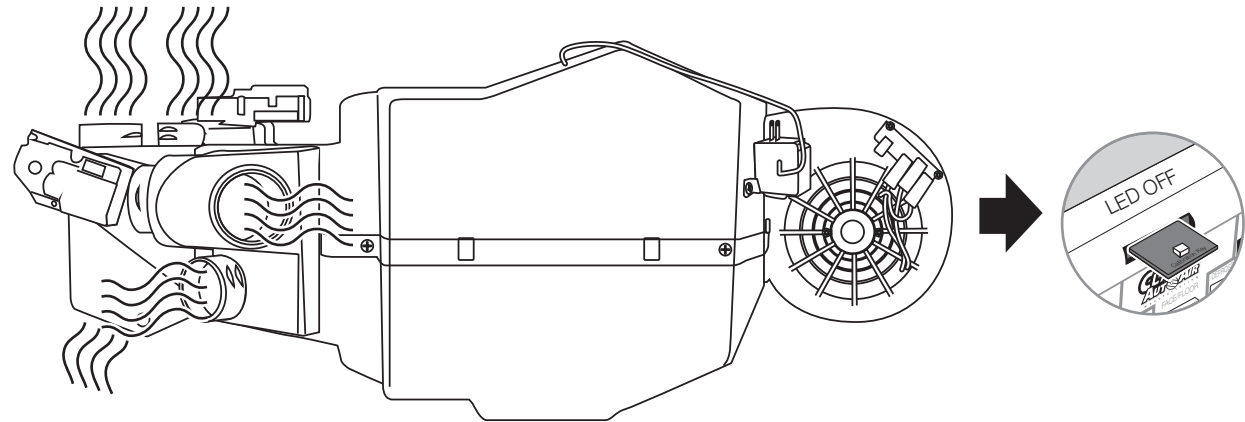


AFTER YOU MOVE THE KNOB YOU WILL SEE...



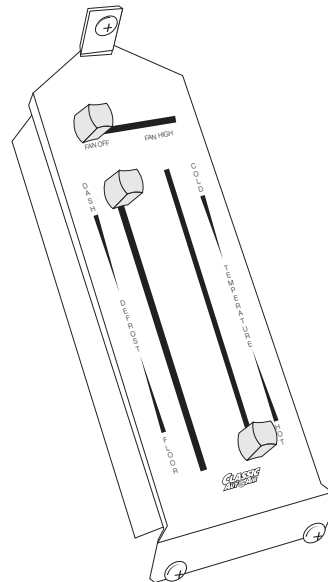
6

You will be able to hear the internal door(s) move back and forth and feel air coming out of the outlets

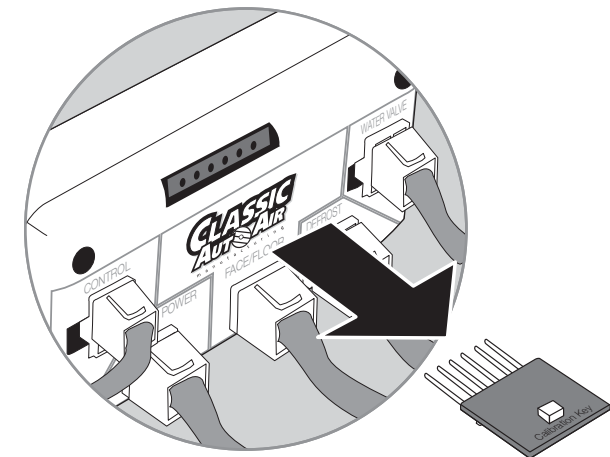


7

Move FAN knob to OFF



8



REMOVE CALIBRATION KEY FROM ECU AND STORE IN A SAFE PLACE

