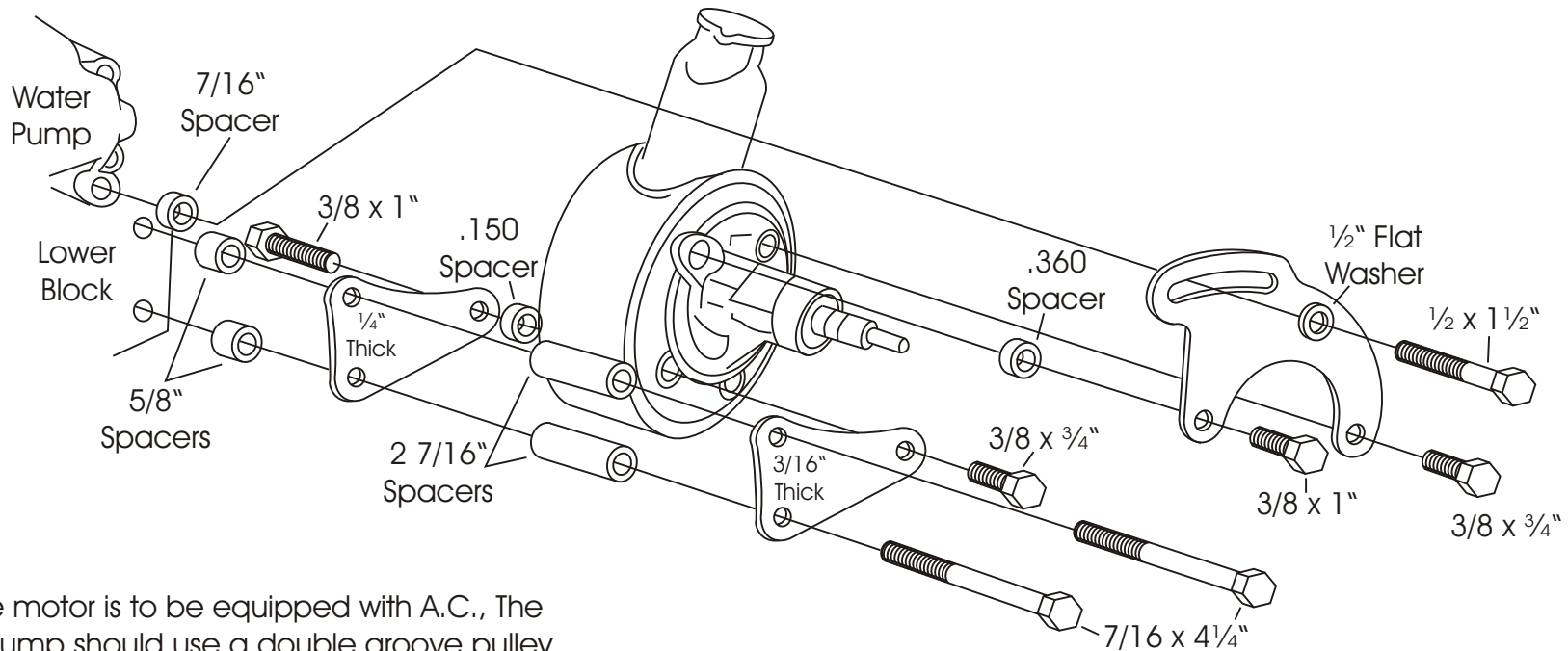




This bracket is designed to be used with the non-metric Chevrolet pump with attached reservoir. There are a large number of pumps available from 1961 to 1981 that will work well with our power steering bracket. For more detailed information see the enclosed power steering pump sheet.

POWER STEERING PUMP MOUNT 407L

Big Block Chevy - Driver's Side
Long Water Pump



If the motor is to be equipped with A.C., The P.S. Pump should use a double groove pulley and the crankshaft a triple groove pulley. This will allow the use of a belt on the inner grooves of both the crankshaft and the power steering pump.

We use a belt length of 41 1/2 - 42" with this mount on installations in our shop. However; this can vary with the diameter of your pulleys.

As with any part of this nature, make sure it fits your application before painting or plating. Parts that have been painted, plated, or modified may not be returned.

POWER STEERING
PUMP MOUNT
407L

Big Block Chevy - Driver's Side
Long Water Pump

ALAN GROVE COMPONENTS, INC.
27070 METCALF ROAD
LOUISBURG, KS 66053