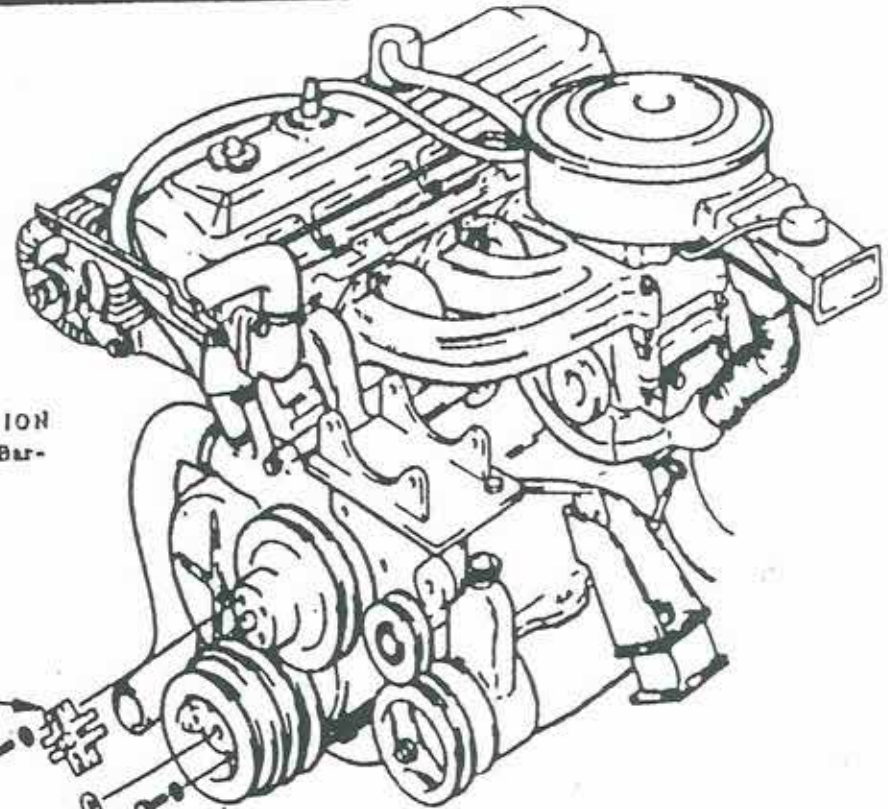


# 6-301

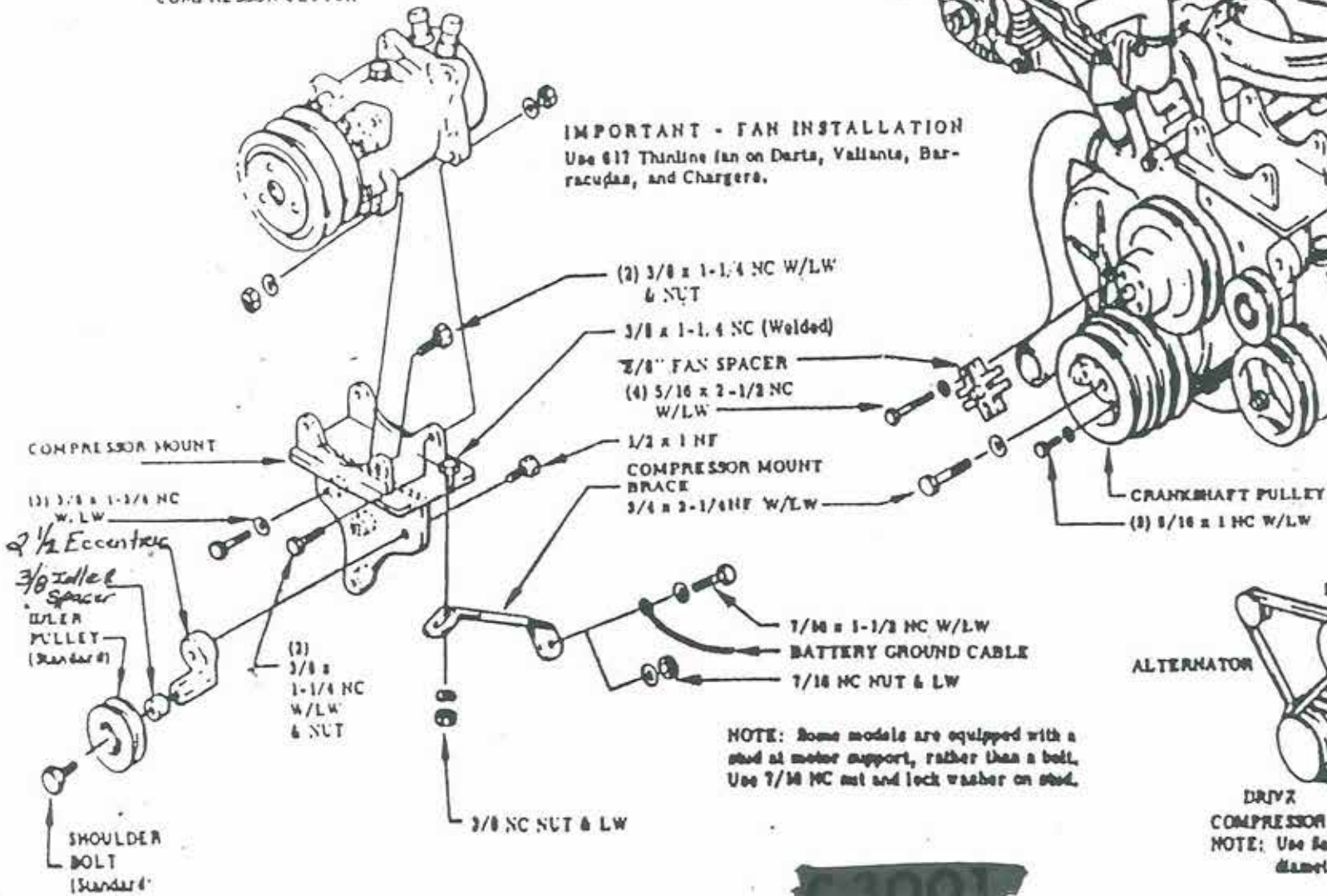
## ALL BARRACUDA & CHARGER ALL DODGE DART & VALIANT ALL DODGE and PLYMOUTH -ASPEN PICK-UP

- 6 CYL
- 170 - 225 CUBIC INCH
- WITH OR WITHOUT POWER STEERING

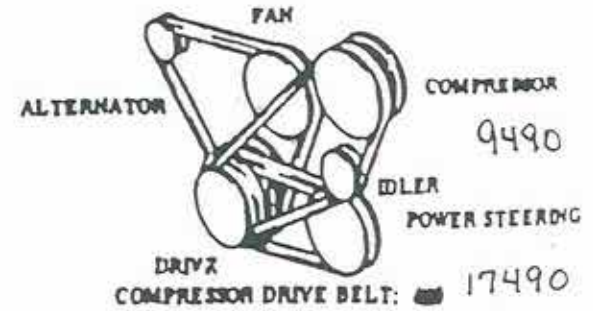
SANKYO COMPRESSOR WITH 6.0" DIAMETER COMPRESSOR CLUTCH



**IMPORTANT - FAN INSTALLATION**  
Use 617 Thinline fan on Darts, Vallante, Barracudas, and Chargers.



NOTE: Some models are equipped with a stud at motor support, rather than a bolt. Use 7/16 NC nut and lock washer on stud.



NOTE: Use Sankyo Compressor with 6.0" diameter compressor clutch.

6-301

### C-3001- Packing List

C-3001-1 Compressor Mount	4	3/8 x 1 1/4 NC Bolts
C-3001-2 Mount Brace	3	3/8 x 1 3/4 NC Bolts
FD-106 Crankshaft Pulley	5	3/8 NC Nuts
Standard Idler Pulley	1	7/16 NC Nut
2 1/2 Eccentric	1	7/16 x 1 1/2 NC Bolt
3/8 Idler Spacer	1	1/2 x 1 NF Bolt
Standard Shoulder Bolt	1	3/4 x 2 1/2 NF Bolt
7/8 Fan Spacer	7	5/16 Lockwashers
9 490 Drive Belt 6.0 dia. Clutch - 17490	7	3/8 Lockwashers
5/16 x 1 NC Bolts	1	7/16 Lockwasher
5/16 x 2 1/2 NC Bolts	1	3/4 Lockwasher

### C-3001 Installation Instructions

1. Disconnect Battery Ground Cable. Drain and remove Radiator from Engine Compartment for better access to Engine.

2. Remove Belts and Fan Assembly and lay aside for later reinstallation.

3. Install the FD-106 Crankshaft Pulley furnished in kit. Use (3) three 5/16 x 1 NC Bolts with Lockwashers and (1) a 3/4 x 2 1/2 NF Bolt with Lockwasher to secure Pulley. Tighten securely.

4. Using Mount and Drawing as a guide, remove Bolts from Engine. Holding Mount in approximate position will help identify the proper Bolts to be removed.

5. Install the C-3001-1 Compressor Mount, using (3) three 3/8 x 1 3/4 NC Bolts with Lockwashers.

6. Attach the C-3001-2 Compressor Mount Brace to Engine, using a 7/16 x 1 1/2 NC Bolt with Lockwasher or a 7/16 NC Nut with Lockwasher. Use a 3/8 NC Nut with Lockwasher on slotted end to welded Bolt. Tighten all above Bolts uniformly and securely.

7. Install Compressor with 6.0 Dia. Clutch, using (4) four 3/8 x 1 1/4 NC Bolts with Lockwashers and Nuts. Tighten securely.

8. Install Idler Assembly, using (1) a 2 1/2 Eccentric and (1) a 3/8 Idler Spacer. Use (1) a 1/2 x 1 NF Bolt to secure Eccentric to Mount.

9. Replace Fan Assembly, using (1) a 5/8 Fan Spacer and (4) four 5/16 x 2 1/2 NC Bolts with Lockwashers.

10. Install Belt as shown in Belt Wrap Diagram. Adjust to proper tension and secure.

11. Replace Radiator and refill with Coolant.

12. Reconnect Battery Ground Cable.

**CAUTION : BEFORE RELEASING VEHICLE TO CUSTOMER-** Check all Radiator Hoses, Heater Hoses, and Oil Lines to be sure there is proper clearance of Compressor, Compressor Mount, and Compressor Clutch: